



ELECTRICAL Tips and Diagrams

Wire Installation Tips

By law, trailer lighting must be connected into the tow vehicle's wiring system to provide trailer running lights, turn signals and brake lights. This is accomplished by tapping into the tow vehicle's harness power to the trailer wiring system. Connectors are used between the two to allow disengagement when not towing.

Connectors

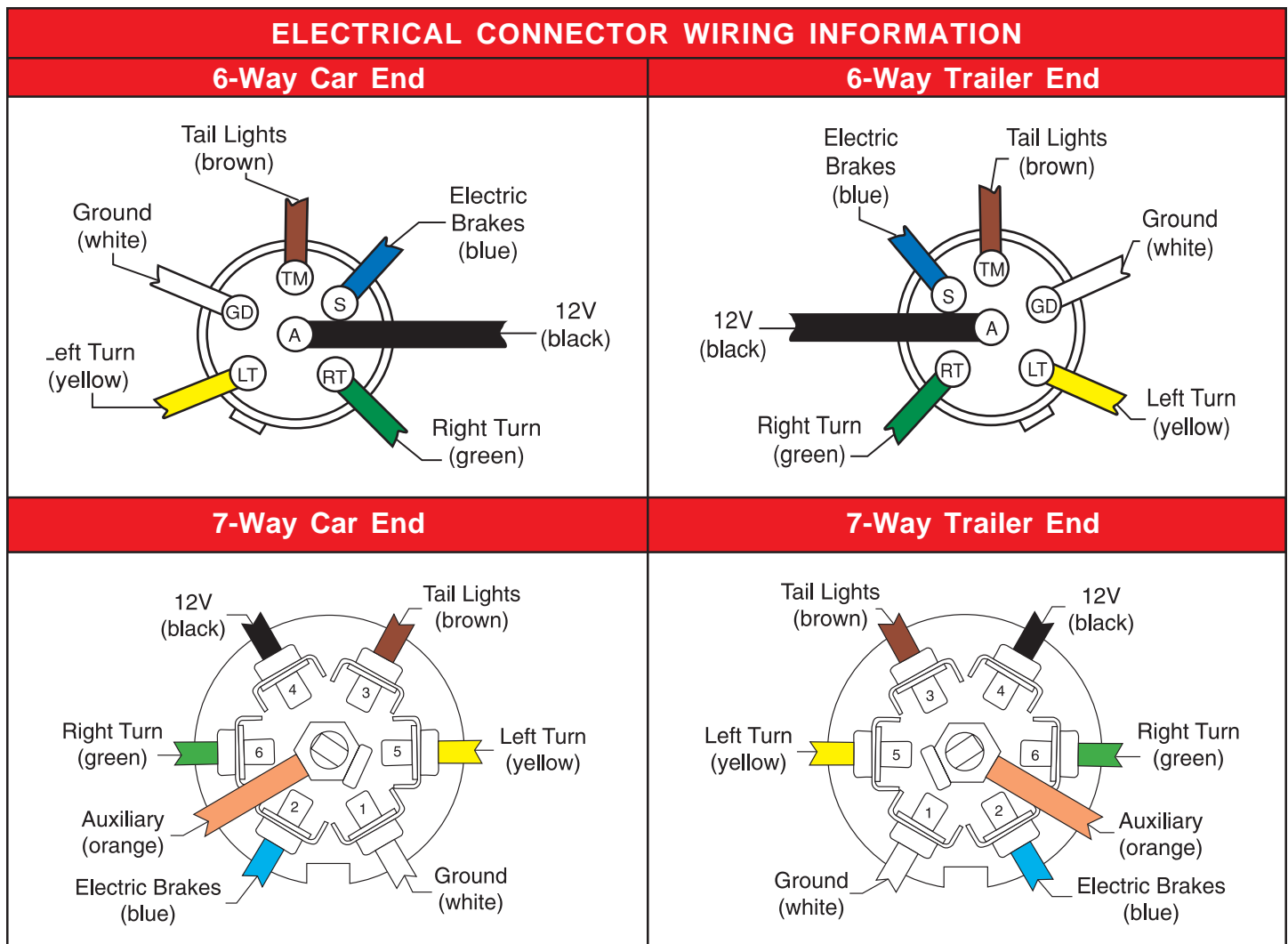
Various styles of connectors are available with four to seven pins to allow transfer of power for the lighting as well as auxiliary functions such as electric trailer brake control, backup lights, etc. Choose a connector that has the required number of pins for the functions required. The male end is mounted on the vehicle side and the female end on the trailer side.

6 Way Connectors

Round 1 1/4" diameter metal conductors are available that allow 1 or 2 additional functions such as back up lights and electric brakes.

7 Way Connectors

Additional pins for auxiliary power, trailer battery charging, etc. are available using larger 2" diameter, round connectors.



Note: 6 way connectors: The black (12V) and Blue (Electric Brakes) may be reversed to suit trailer. Horse Trailers may use the center pin for 12V, R.V. trailers use the center for Electric Brakes as (shown).

